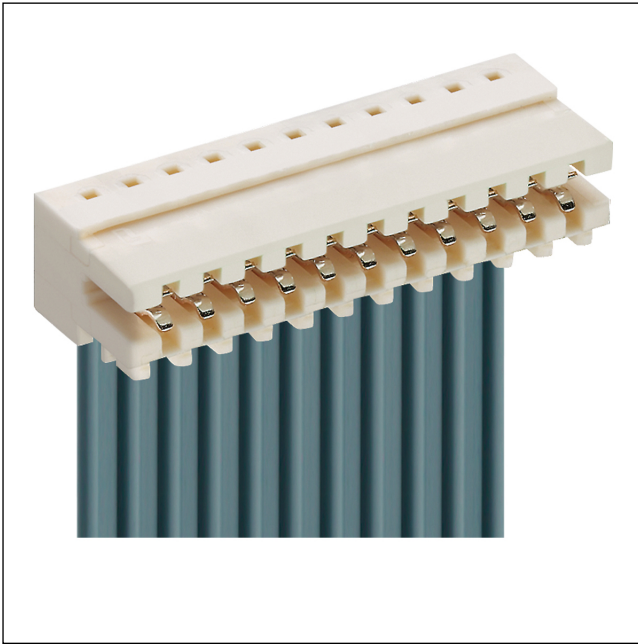


35


3520-2

RAST 2.5 connectors, pitch 2.5/5.0 mm



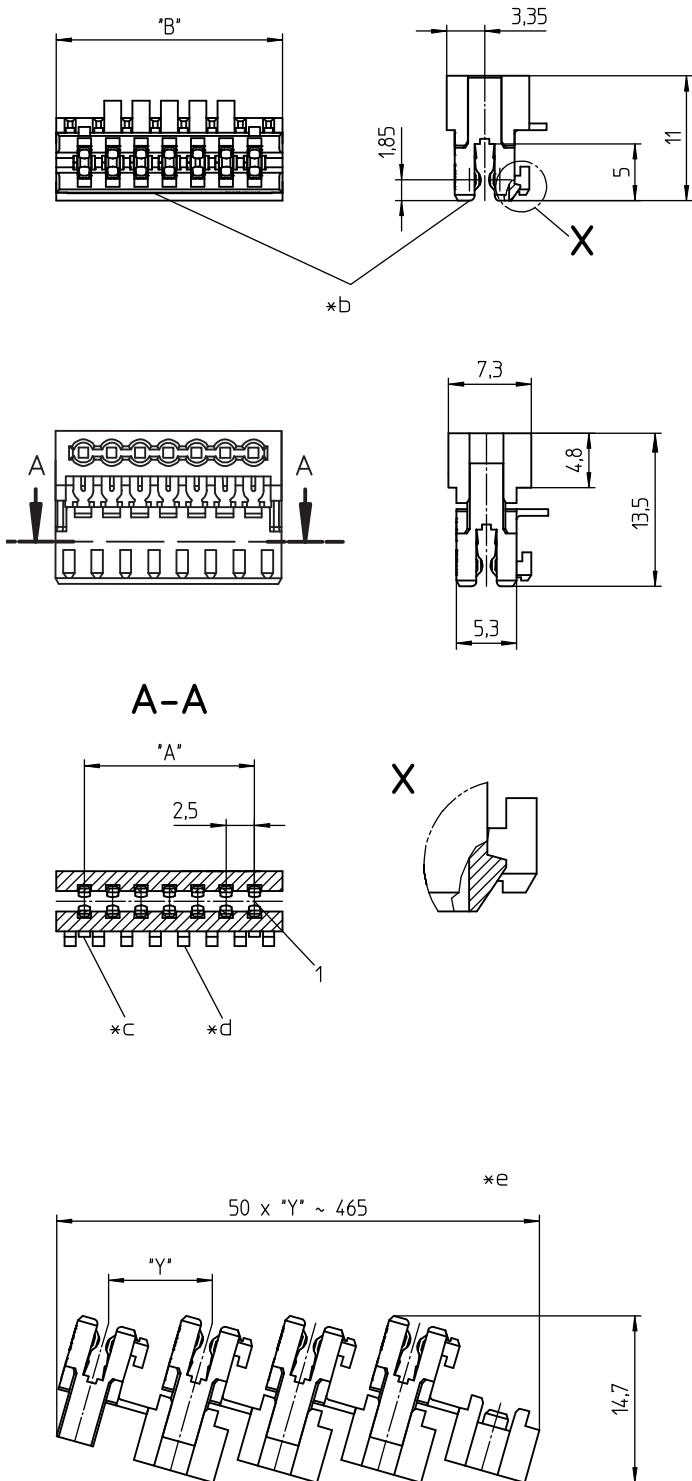
RAST 2.5 connector for direct and indirect mating,  
insulation displacement technology (IDT), with interior  
locking, for ribbon cable  
contact pitch 2.5 mm

---

Approvals:  US

---

35 3520-2



**Environmental conditions**

Temperature range -40 °C/+130 °C<sup>1</sup>

<sup>1</sup> upper limit temperature (insulating body) RTI (electrical) of the UL Yellow Card


**Materials**

Insulating body PBT, V-0 according to UL94 – 3520-2 (S...V...)  
PA, V-2 according to UL94 – 3520-2 M12(S...V...)<sup>1</sup>


Contact spring CuSn, tin-plated – 3520-2 (M...S...)  
CuSn, tin-plated (Sn/Ag), 2-9 poles – 3520-2 (M...S...)V03  
CuSn, pre-nickel and gold-plated – 3520-2 (M...S...)V102

<sup>1</sup> M12: component glow wire resistant (GWT 750 °C), testing acc. to IEC 60695-2-11, assessment acc. to IEC 60335-1 (flame < 2 s)

**Mechanical data**

Mating with printed circuit board 1.5 ± 0.14 mm  
Insertion force/contact ≤ 4,0 N  
Withdrawal force/contact ≥ 0,5 N  
Keying proposals at [www.lumberg.com](http://www.lumberg.com) 

**Connectable conductors for IDT area**

Construction discrete conductor, flat cable 2.5 mm  
Section min. 0,14 mm<sup>2</sup>  
Section max. 0,38 mm<sup>2</sup>  
Insulation diameter ≤ 1,6 mm  
Approved cables at [www.lumberg.com](http://www.lumberg.com) 

**Electrical data (at T<sub>amb</sub> 20 °C)**

Contact resistance ≤ 5 mΩ  
Rated current 4 A (T<sub>amb</sub> 60 °C)  
2 A (T<sub>amb</sub> 100 °C)  
Rated voltage 32 V AC  
Material group IIIa (IEC)/2 (UL) (CTI ≥ 250)  
Creepage distance 0,6 mm  
Clearance 0,6 mm  
Insulation resistance > 1 GΩ

- \*a terminated connector
- \*b color marking:  
3520-2 (M...)S01 blue  
3520-2 (M...)S02 green  
3520-2 (M...)S03 brown
- \*c lock (detail X)
- \*d keying
- \*e chaining of the component parts (state of delivery)

**Associated products**

Counterparts

- [↗ 3551](#)                      [↗ 355195](#)                      [↗ 3555](#)

Accessories

- [↗ 3501](#)

Harnessing equipment

- [↗ HA3...e](#)                      [↗ HA35e](#)                      [↗ HA35e-CA](#)
- [↗ HA35e-RK](#)                      [↗ HA35f](#)                      [↗ HA35f-CA](#)
- [↗ HA35f-CA-KC](#)                      [↗ HA35f-CA-KC-KT](#)                      [↗ HA35f-CA-KC-KT-HV](#)
- [↗ HA35f-HV](#)                      [↗ HA35f-KC](#)                      [↗ HA35f-KC-KT](#)
- [↗ HA35f-RK](#)                      [↗ HA35f-RK-CA](#)                      [↗ HA35f-RK-CA-KC](#)
- [↗ HA35f-RK-CA-KC-KT](#)                      [↗ HA35f-RK-CA-KC-KT-HV](#)                      [↗ HZ-M35](#)
- [↗ HZ35](#)                      [↗ HZ35-K](#)                      [↗ KHP35](#)
- [↗ VARICON 7000](#)                      [↗ VARICON 7000-DC](#)                      [↗ VARICON 7000-DC-CR](#)
- [↗ VARICON 7000-Eco](#)                      [↗ VARICON 7000-Eco-CR](#)                      [↗ VARICON 7000-Inline](#)
- [↗ VARICON 7000-Inline-CR](#)                      [↗ VARICON 7000-RD](#)                      [↗ VARICON 7000-RD-CR](#)
- [↗ VARICON 7000-Unica-35](#)

Designation	Pole Number	PU (Pieces)	MDQ (Pieces)	Dimensions	
				A (mm)	B (mm)
3520-2 04	4	2700	5400	7.5	12.4
3520-2 05	5	2250	2250	10.0	14.9
3520-2 06	6	1800	3600	12.5	17.4
3520-2 07	7	1800	3600	15.0	19.9
3520-2 08	8	1350	2700	17.5	22.4
3520-2 09	9	1350	2700	20.0	24.9
3520-2 10	10	1350	2700	22.5	27.4
3520-2 11	11	900	2700	25.0	29.9
3520-2 12	12	900	2700	27.5	32.4
3520-2 13	13	900	2700	30.0	34.9
3520-2 14	14	900	2700	32.5	37.4
3520-2 15	15	900	2700	35.0	39.9
3520-2 16	16	450	2700	37.5	42.4
3520-2 17	17	450	2700	40.0	44.9
3520-2 18	18	450	2700	42.5	47.4
3520-2 19	19	450	2700	45.0	49.9
3520-2 20	20	450	2700	47.5	52.4

Designation to be completed by further details (e.g. for keying, color or material options).

**Packaging:**

chained, in a cardboard box